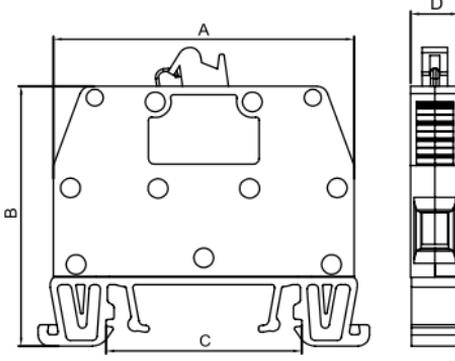


MRK SERIES SCREWED TYPE TEST CONNECTORS MRK SERİSİ VİDALI TİP TEST KLEMENSLERİ



MRK TEST - 6
Order No: 1316



Dimensions Ölçüler (mm)	A	B	C	D
	52,8	46,3	34,5	8,5

MATERIAL / MATERYAL

Body / Gövde	PA6.6 V2
Bridge / Köprü	Copper / Bakır
Contact / Kontak	CK45 Steel / Çelik
Screw/ Vida	Brass / Pirinç
Temp./ Sıcaklık	-40 °C, +140 °C
Cable Strip L. / Soyma Boyu	12 mm
Torque / Tork	0,8 Nm

DATA / VERİ	TSE / CE	UL
Voltage / Gerilim	750 V	600 V
Current / Akım	41 A	41 A
Section / Kesit	6 mm ²	8 AWG
Norm	EN-60947-7-1	UL 1059

RENKLER / COLOURS

RENK/COLOUR	Order No. / Sip.No.	Pcs. /Ad.
GREY / GRİ	1316	100
BEIGE / BEJ	1317	100

ACCESSORIES / AKSESUARLAR

Stopper / Durdurucu	1202,1222,1212
Group Sticker/Grup Etiketi	1232
Marking / Markalama	9770 / 4440 / 4442 / 9540